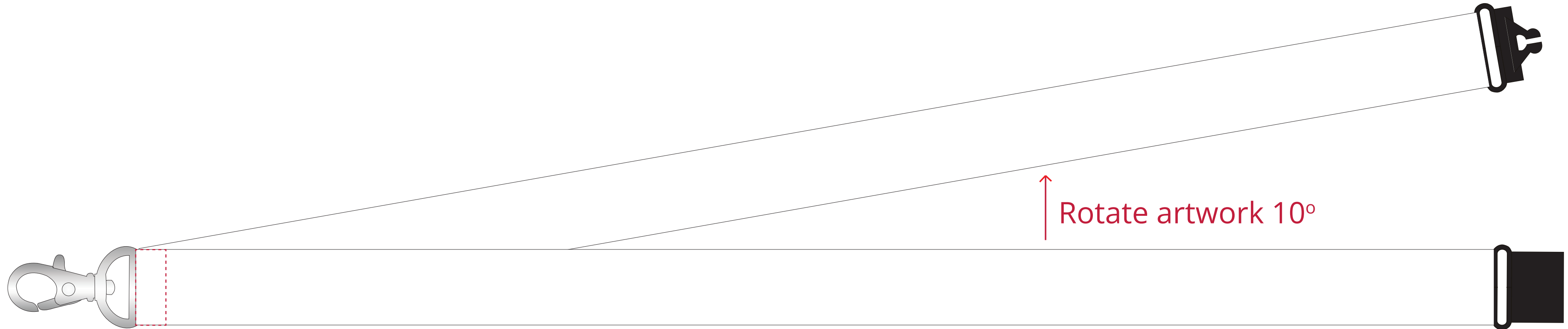
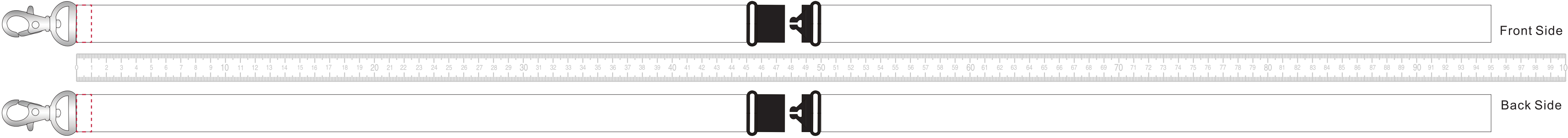


## YOUR VISUAL PROOF (1 of 2)



Keep logo/text at least 10mm from clip  
to avoid stitching

YOUR VISUAL PROOF (2 of 2)



Visual scale 50%.