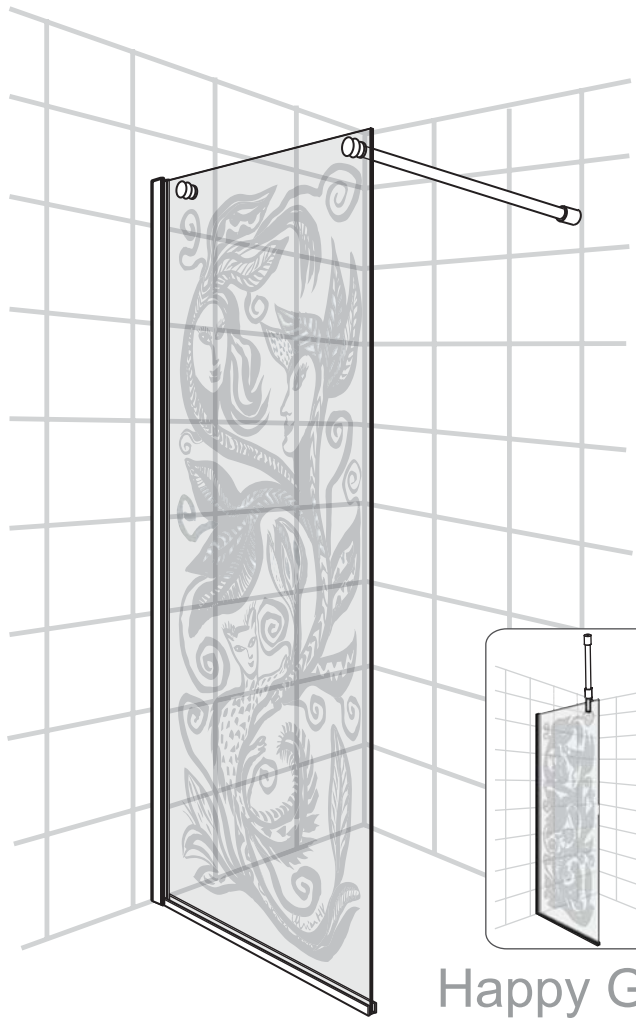
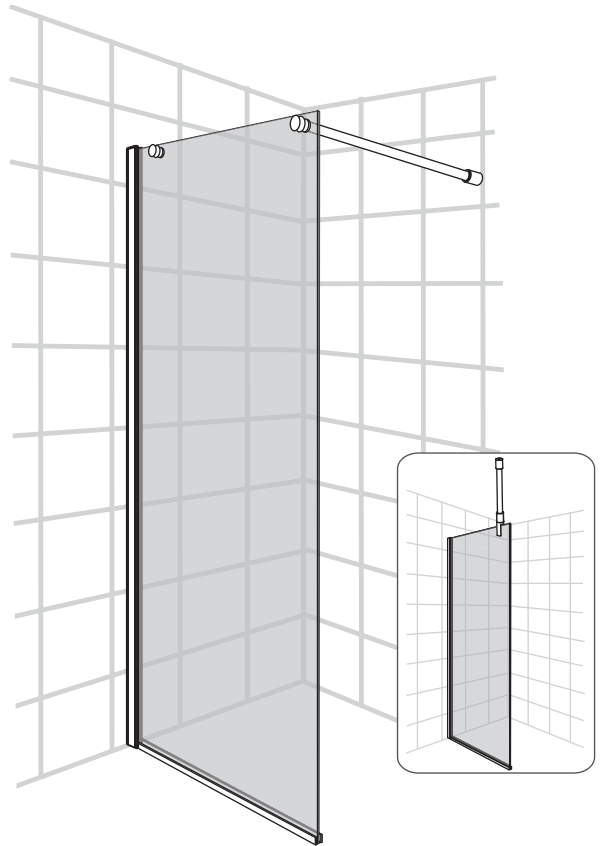
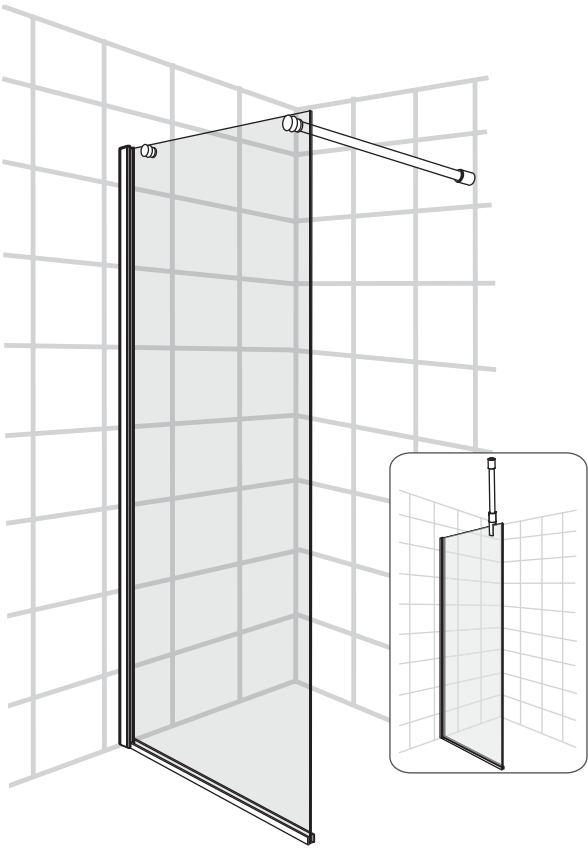


NORO®









Happy Going

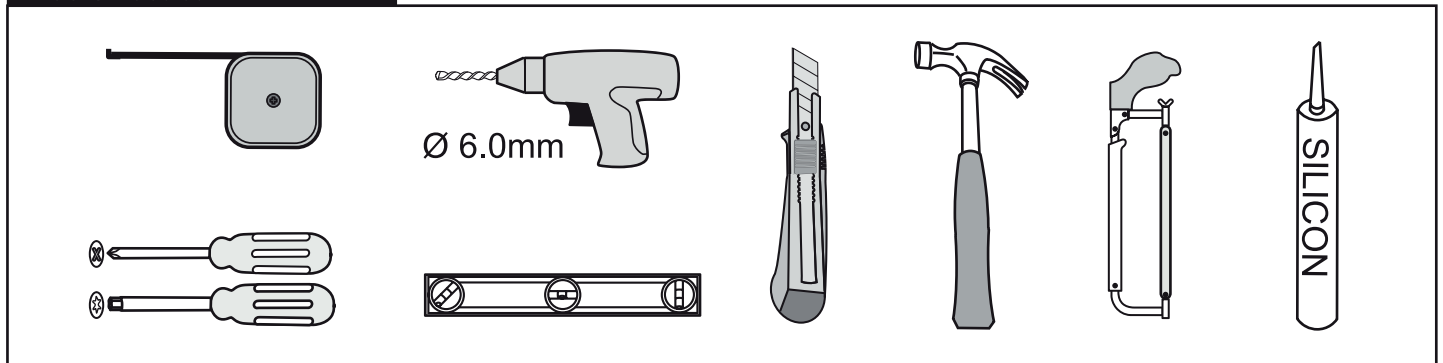


Frost DV

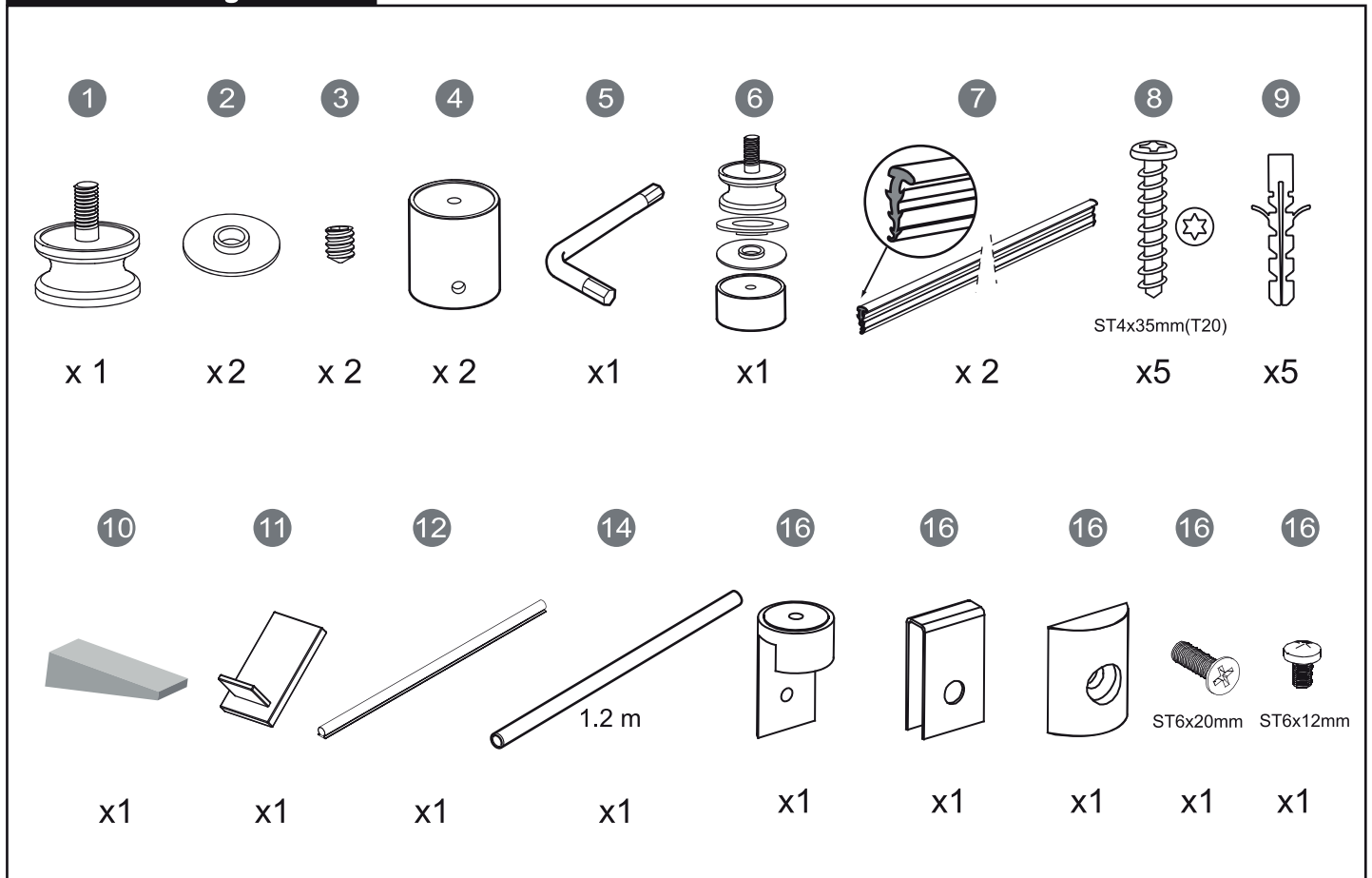
Getting Start:

| | | | |
|--|---|---|---|
|  <p>EN14428</p> | <p>This product fulfils the EN14428 standard</p> |  | <p>Goggles are recommended to protect the eyes</p> |
|  <p>EN12150</p> | <p>All glass used are tempered security glass</p> |  | <p>Caution: Always Handle Glass With Care! Always protect the edges and corners of the glass when assembling.</p> |
|  | <p>2 people are recommended to assemble this shower enclosure</p> |  | <p>Gloves are recommended to prevent slippery on glass</p> |

Tools Needed:

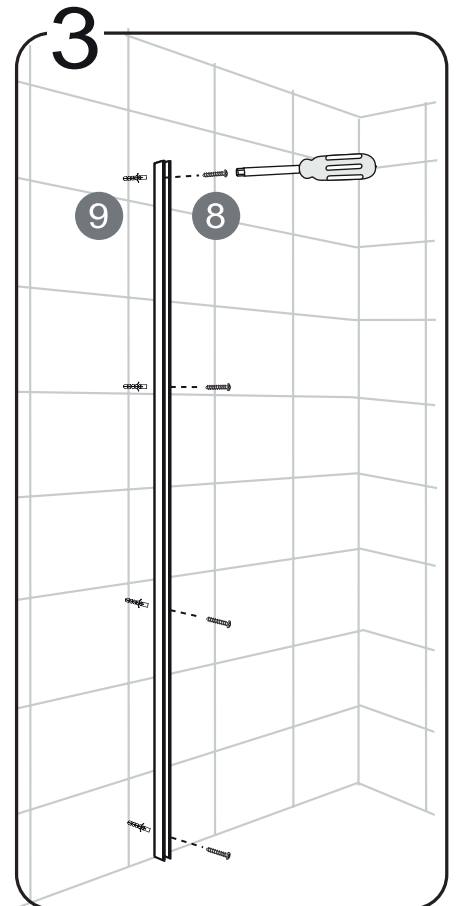
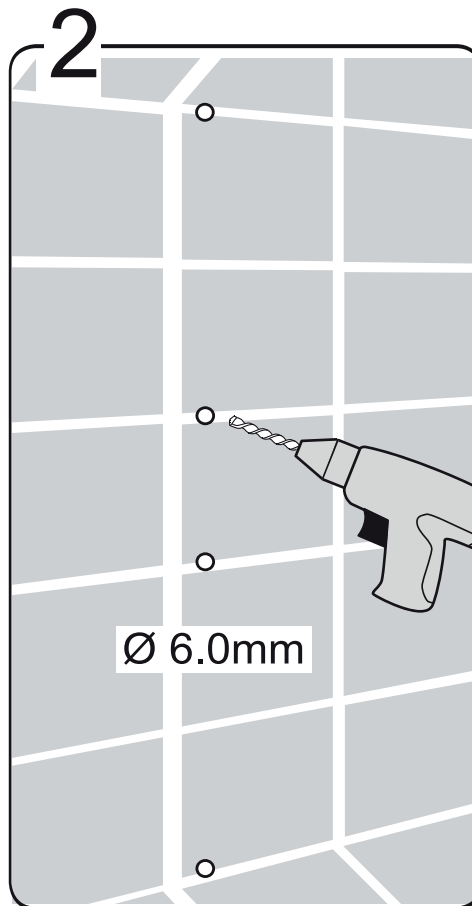
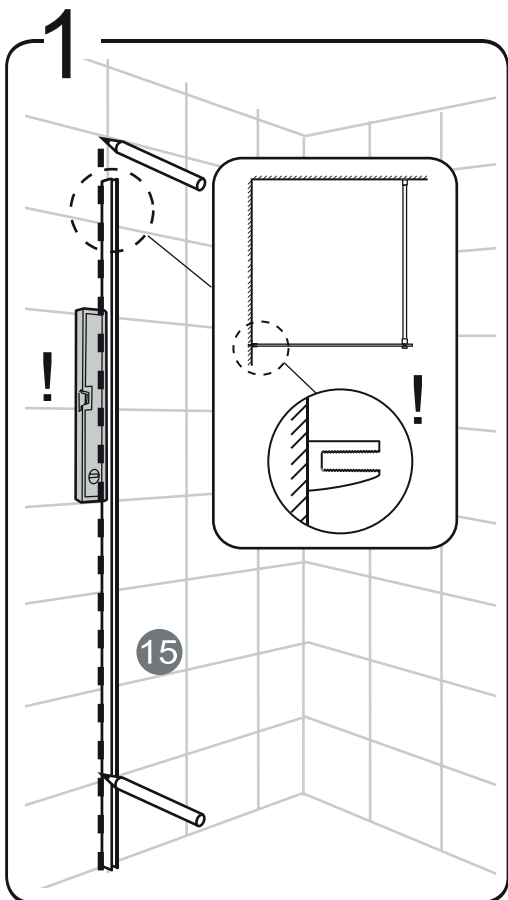
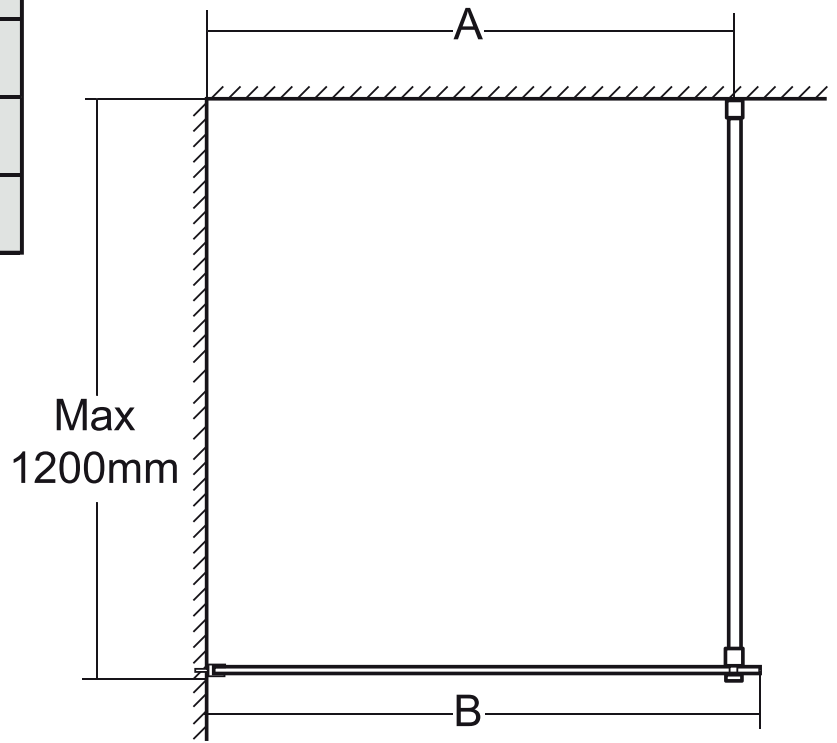
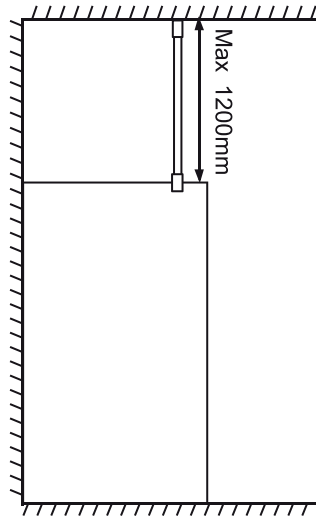


Accessories Bags:

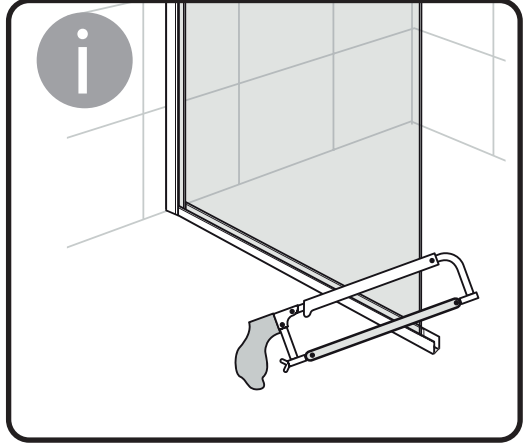
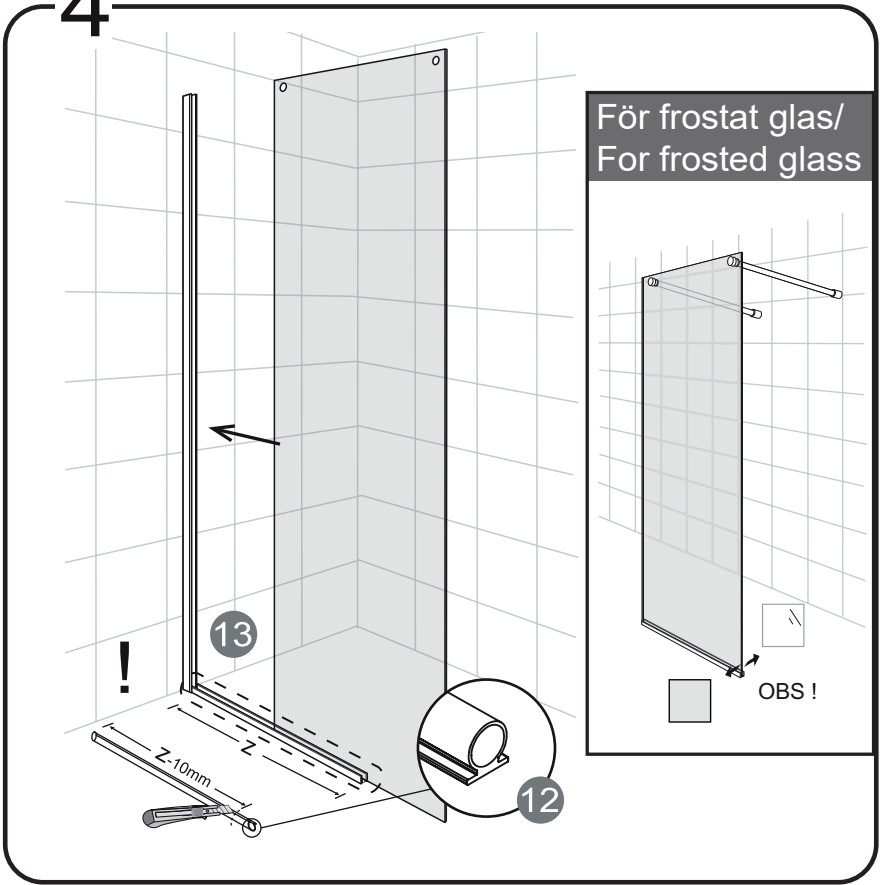


Measurement:

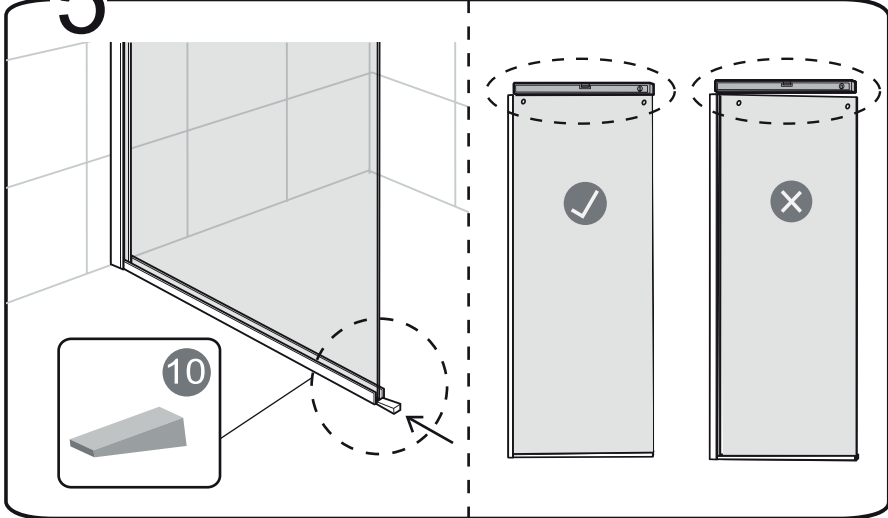
| Model | A | B |
|-------|-------|-------|
| 70 | 651mm | 700mm |
| 80 | 751mm | 800mm |
| 90 | 851mm | 900mm |



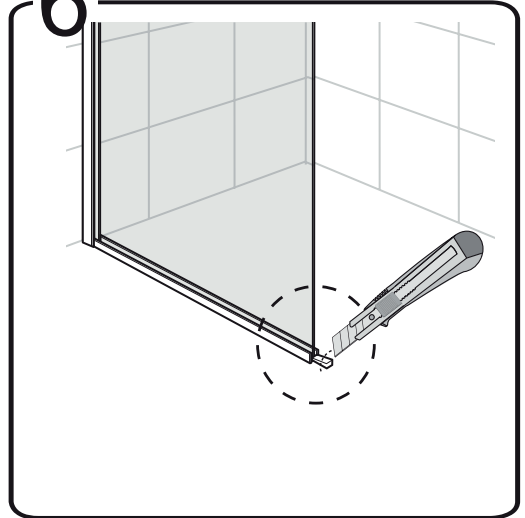
4



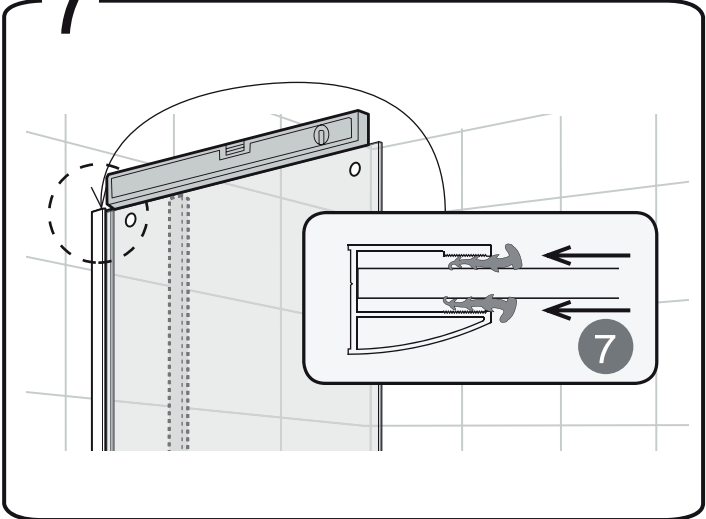
5



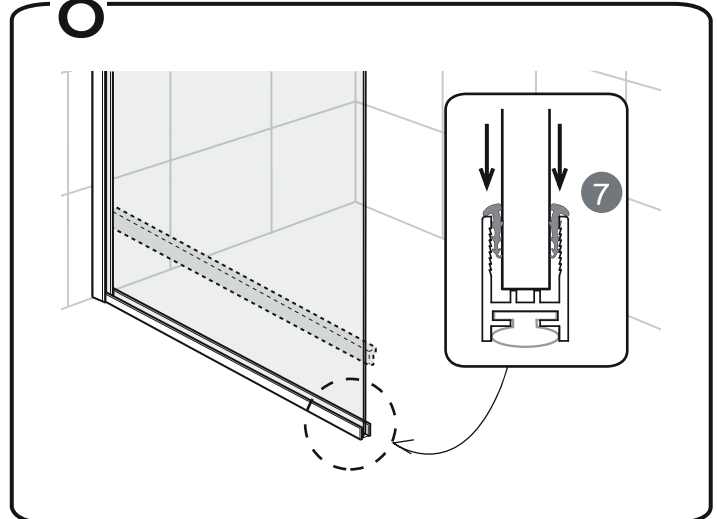
6



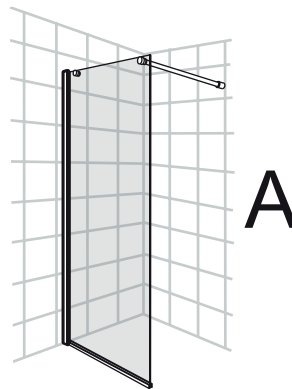
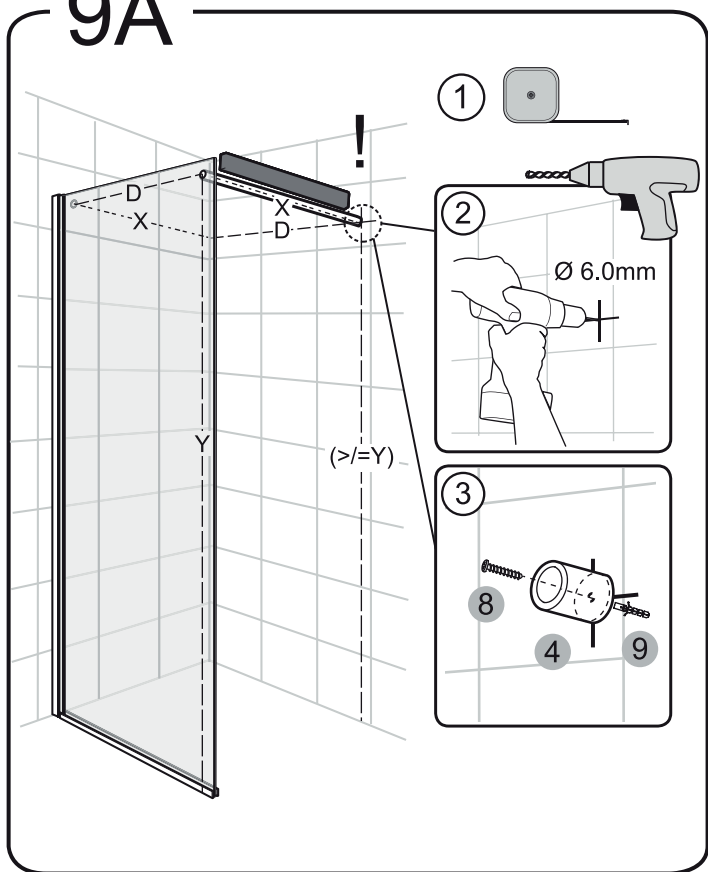
7



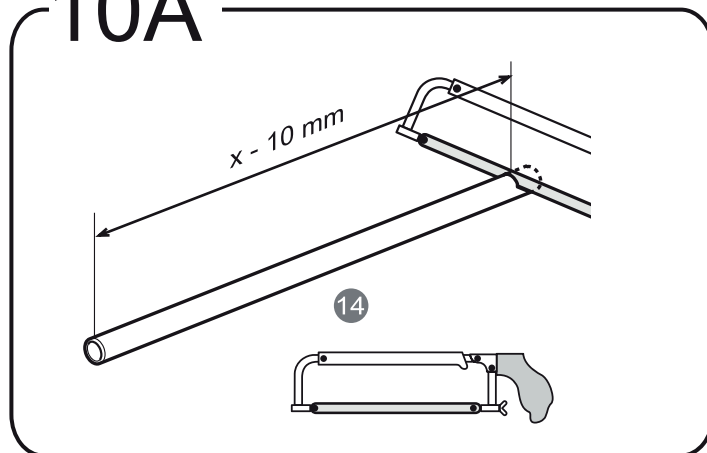
8



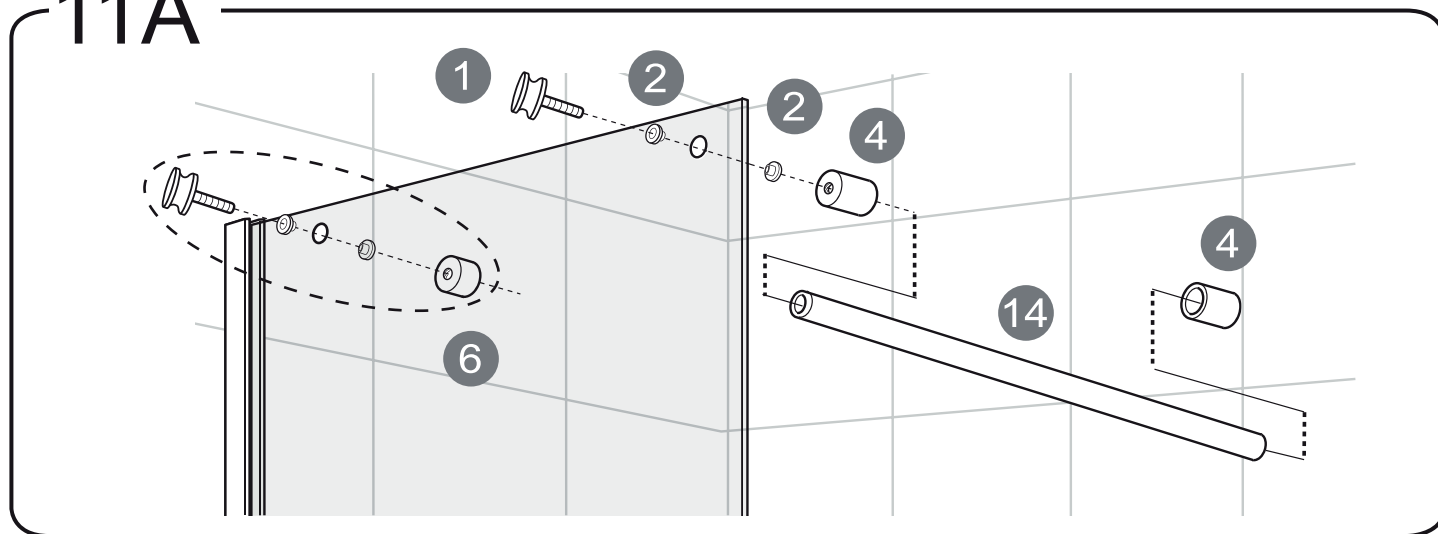
9A



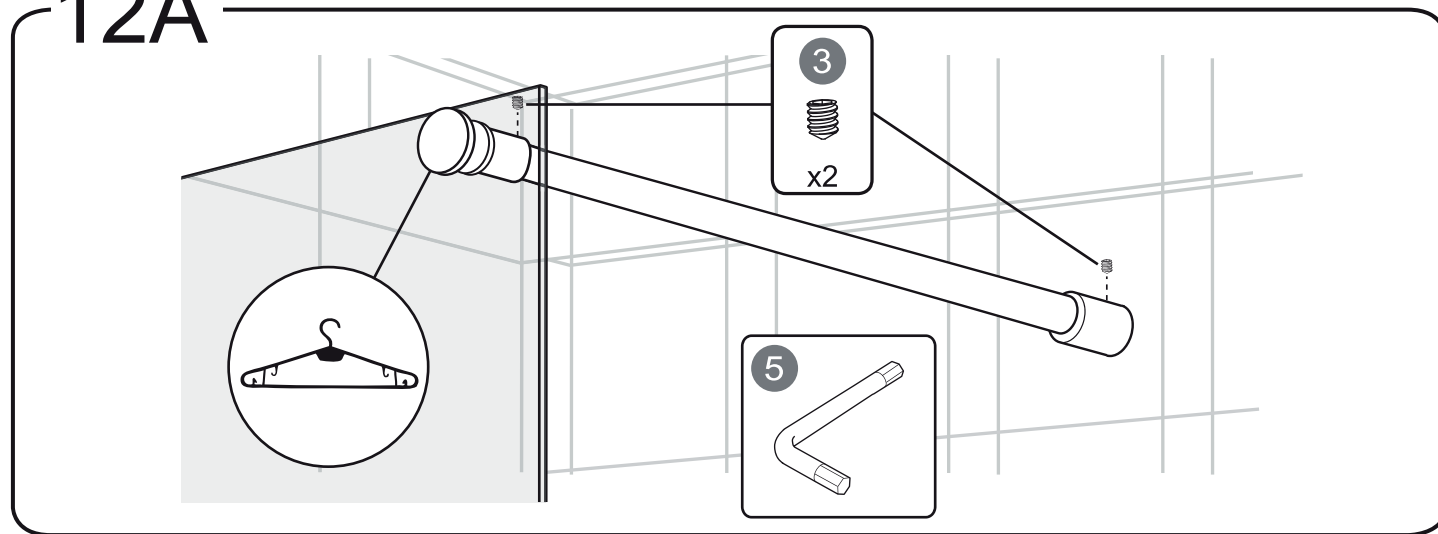
10A



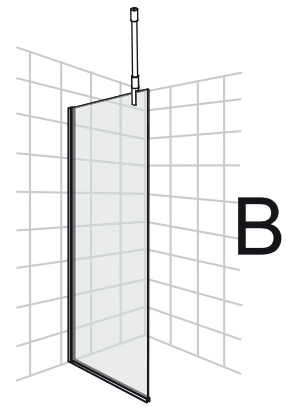
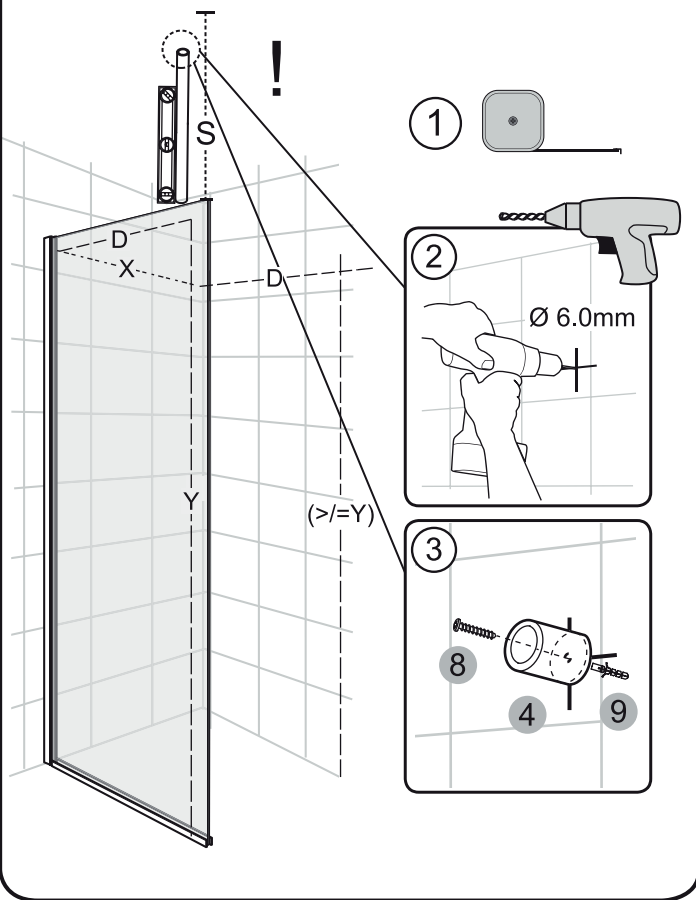
11A



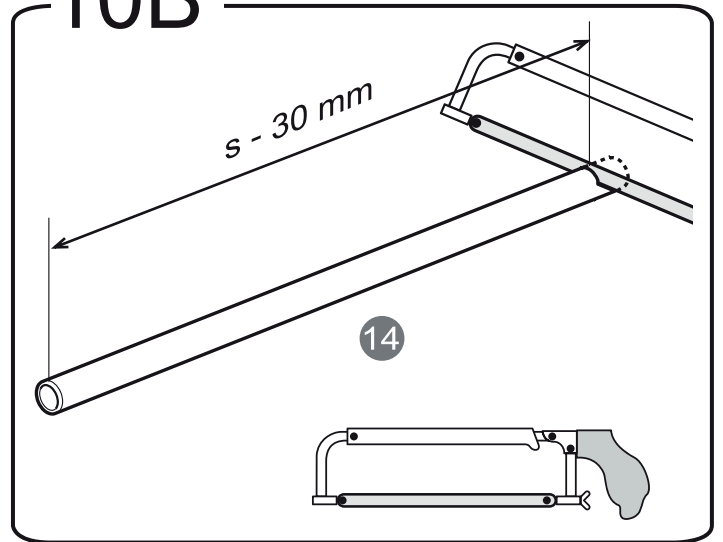
12A



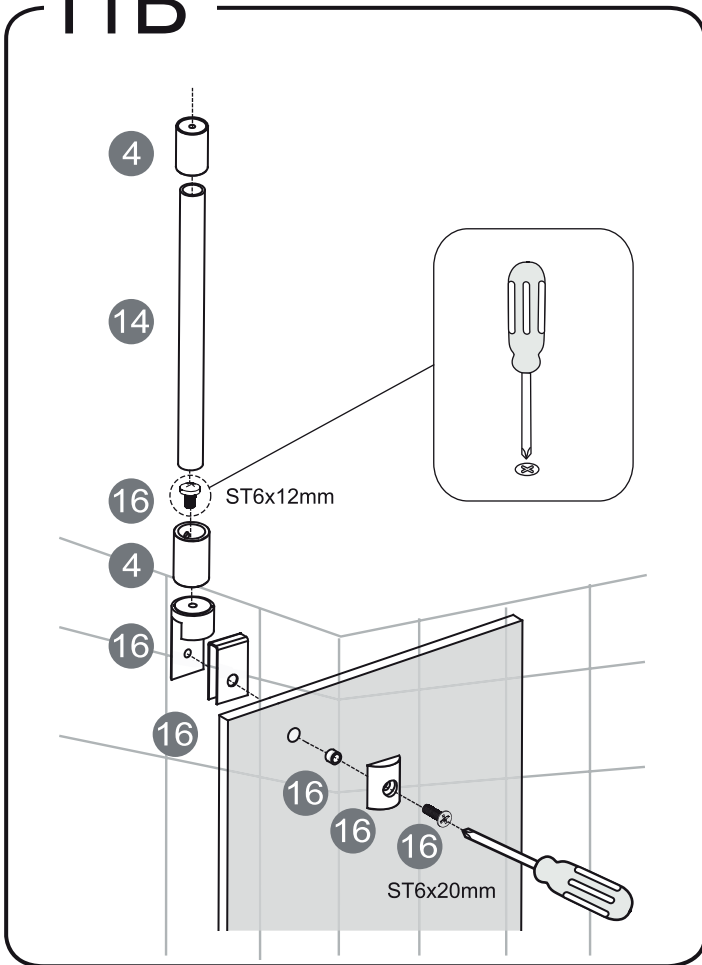
9B



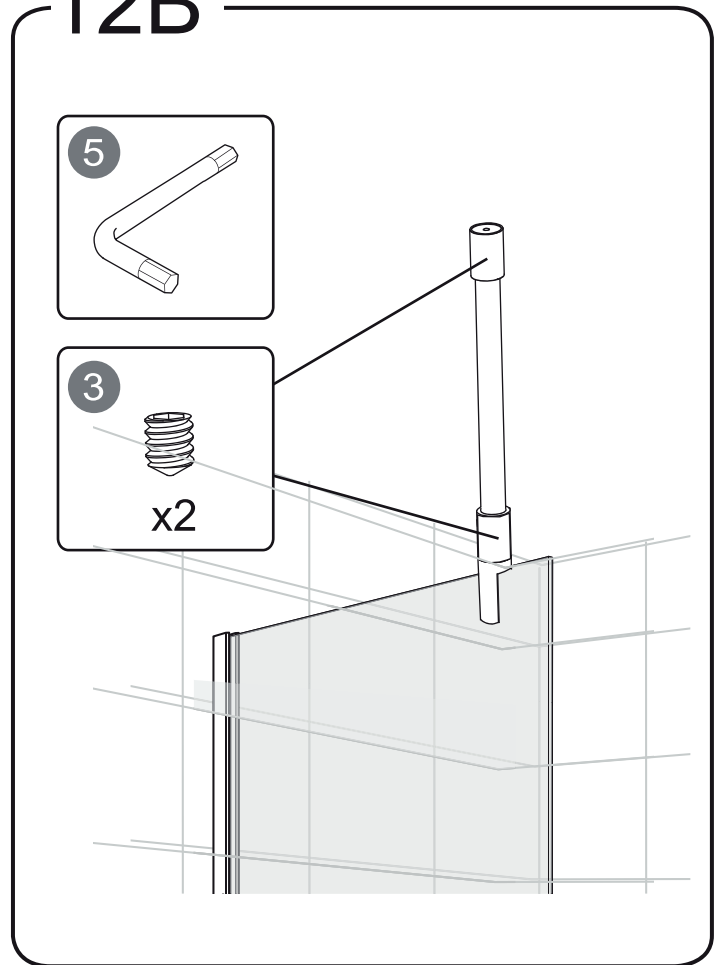
10B

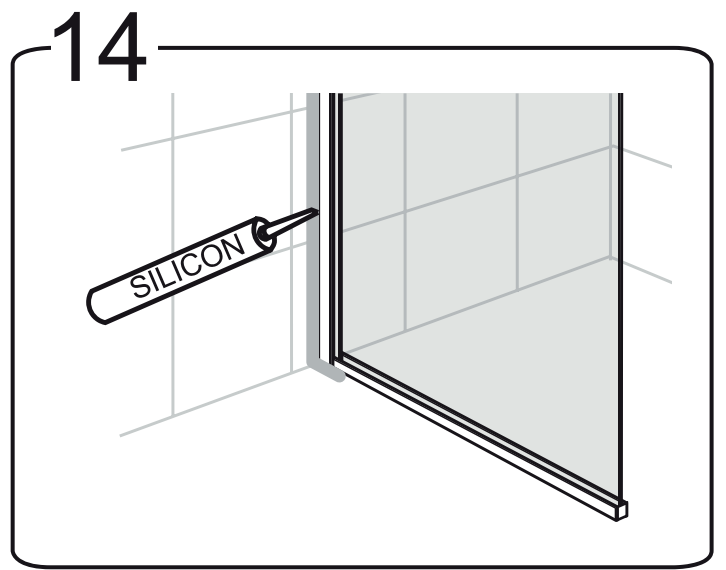
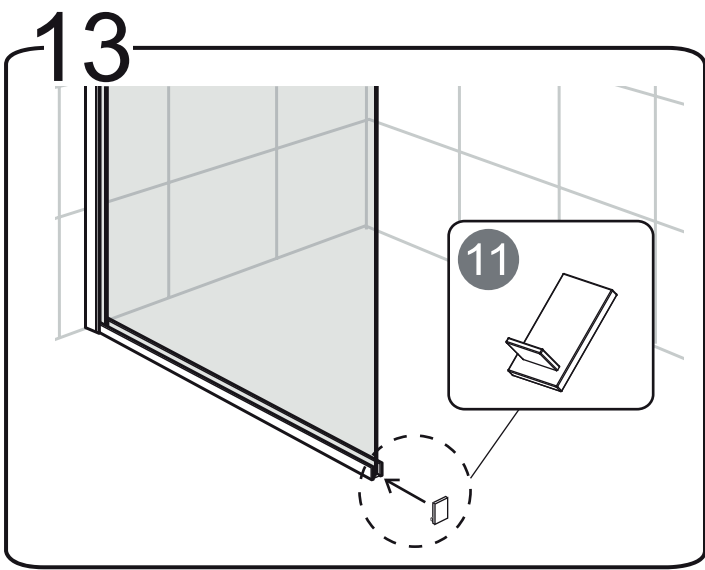


11B

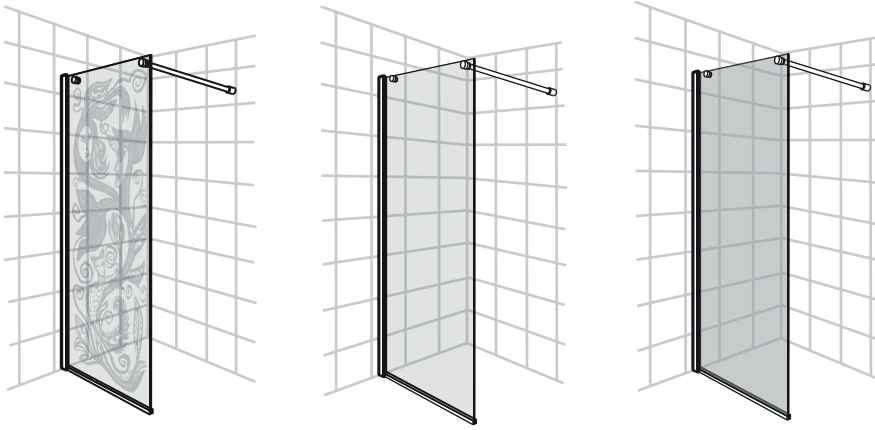


12B

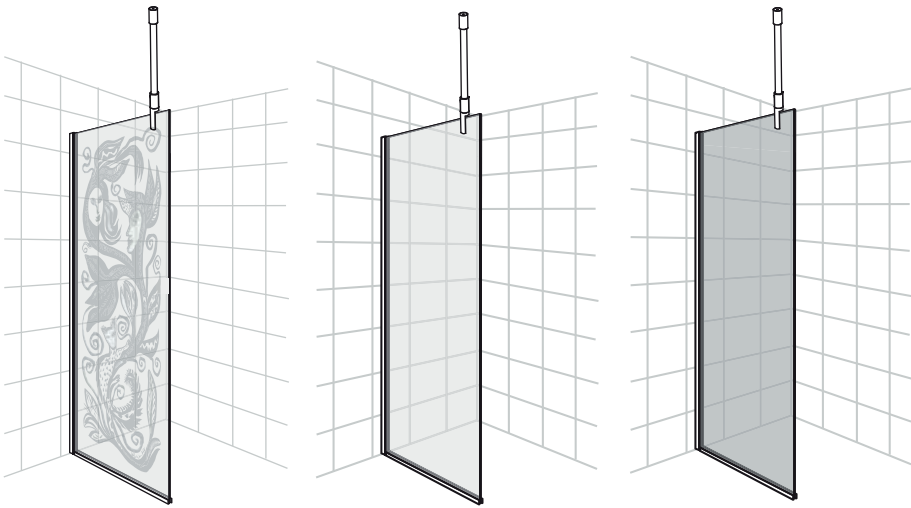




A



B



Frost DV

035 166430 **SE**
info@noro.se

020 7435740 **FI**
info@norokylpyhuone.fi

216 28860 **NO**
info@noro.se

702 52822 **DK**
info@noro.dk