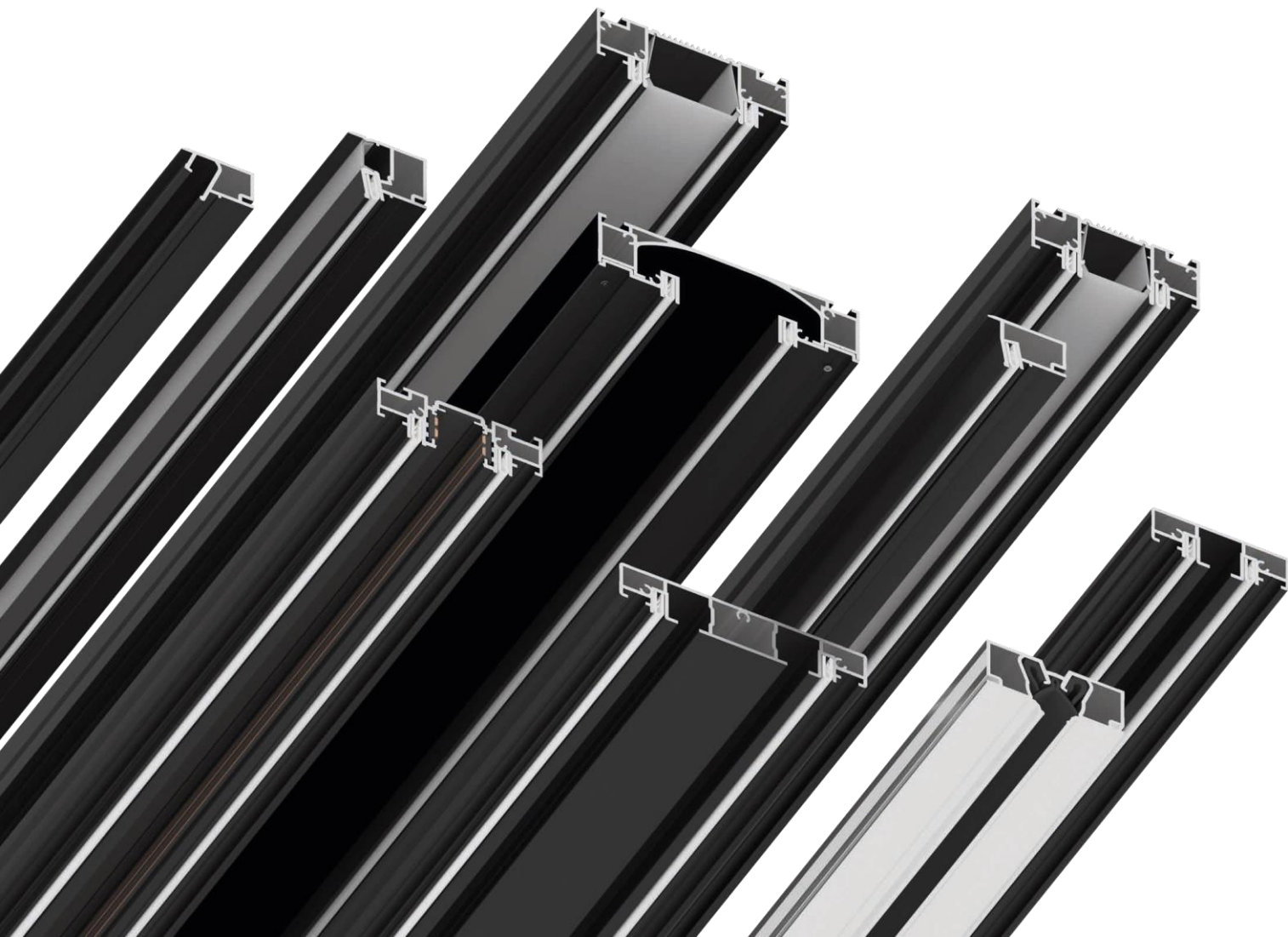


# SLIM 27 — PROFILE SYSTEMS WITH 27 MM MAXIMUM HEIGHT

Spanplafond GARANT  
Sihov Veaceslav  
Peter Benoitstraat 10  
2811 Mechelen-Muizen  
BTW : 0708.864.122

E-mail :  
[info@spanplafond-garant.be](mailto:info@spanplafond-garant.be)  
[www.spanplafond-garant.be](http://www.spanplafond-garant.be)

Tel/ +32 484 29 75 37



# SLIM 27 — PROFILE SYSTEMS WITH 27 MM MAXIMUM HEIGHT

Profile systems SLIM 27 from Spanplafonds SYSTEMS are designed with the main goal of minimizing loss of height for stretch ceilings. The profiles have a maximum size of 27 mm, which allows you to save the height of the finished ceiling, while still allowing all advanced solutions to be used such as:

- Integrated magnetic tracks
- Integrated solutions for curtain rails
- Integrated light lines with and without hard diffuser
- Shadow profiles
- Backlighting profile (integrated floating profile with a diffuser)
- Shadow spacer profile

With the range of SLIM 27 profiles available, you can implement all modern ceiling solutions, create minimalist, graphic designs without losing the height of the finished ceiling. Ceiling height loss will be only 27mm from the lowest point. The profiles are made of high-quality aluminum and are powder-coated with RAL 9003 (white) and RAL 9005 (black) moire.

# CONTENTS

## PERIMETER

Shadow profile

SLIM EuroKraab and SLIM EuroSlott 4

SLIM Villar (floating profile) 6

SLIM R (separation profile) 8

## LIGHT

SLIM Track 01 (track system) 10

Light lines

SLIM Line & SLIM Canyon 12

SLIM 35 (recessed light) 14

## CURTAINS

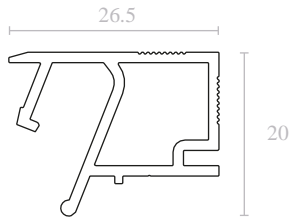
Curtain rail profiles

SLIM Road 01 and SLIM Road 02 16

# SLIM EUROSLOTT (SHADOW PROFILE)

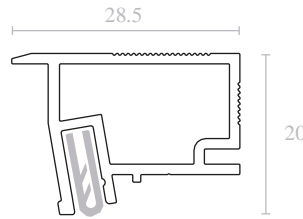
Profile systems SLIM EuroSlott are self-supporting structures and are attached to a horizontal concrete foundation on SLIM special consoles. There is no need to fix the profile to the wall, so loss of ceiling height is reduced to a minimum - the profiles are only 20 mm high.

The main purpose of the shadow profile is to create an even, aesthetic gap between the ceiling plane and the wall. Such a technical solution creates the visual effect of a ceiling not attached to the wall, and conceals all the minor irregularities. This technique is especially relevant when the wall has a contoured surface.



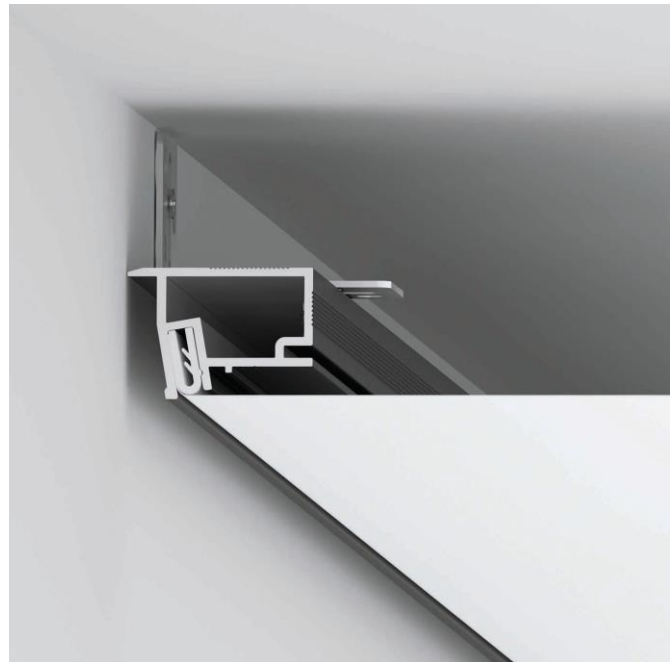
**SLIM EUROKRAAB**

Color: black  
Material: aluminum  
Compatible: PVC



**SLIM EUROSLOTT**

Color: black  
Material: aluminum  
Compatible: textile





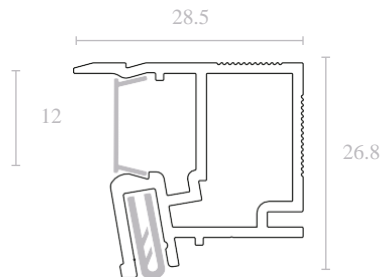
# SLIM VILLAR (FLOATING PROFILE)

The SLIM Villar floating profile is a decorative wall lighting system. The 26 mm profile is designed to minimize height loss for the finished ceiling. The profile is equipped with a special polycarbonate diffuser and a canvas mounting system, which allows you to mount both PVC and textile surfaces.

The system does not come with a light source (LED strip). The source is selected based on room design and color temperature requirements.

The profile diffuser is designed such that the light emanating from the profile has no visible borders on the wall and does not reveal irregularities on the wall.

The profile can be installed at a distance of 2.5 to 10 cm from the wall. In this case, the upper, visible part of the overlap should be painted white to achieve the best outcome.

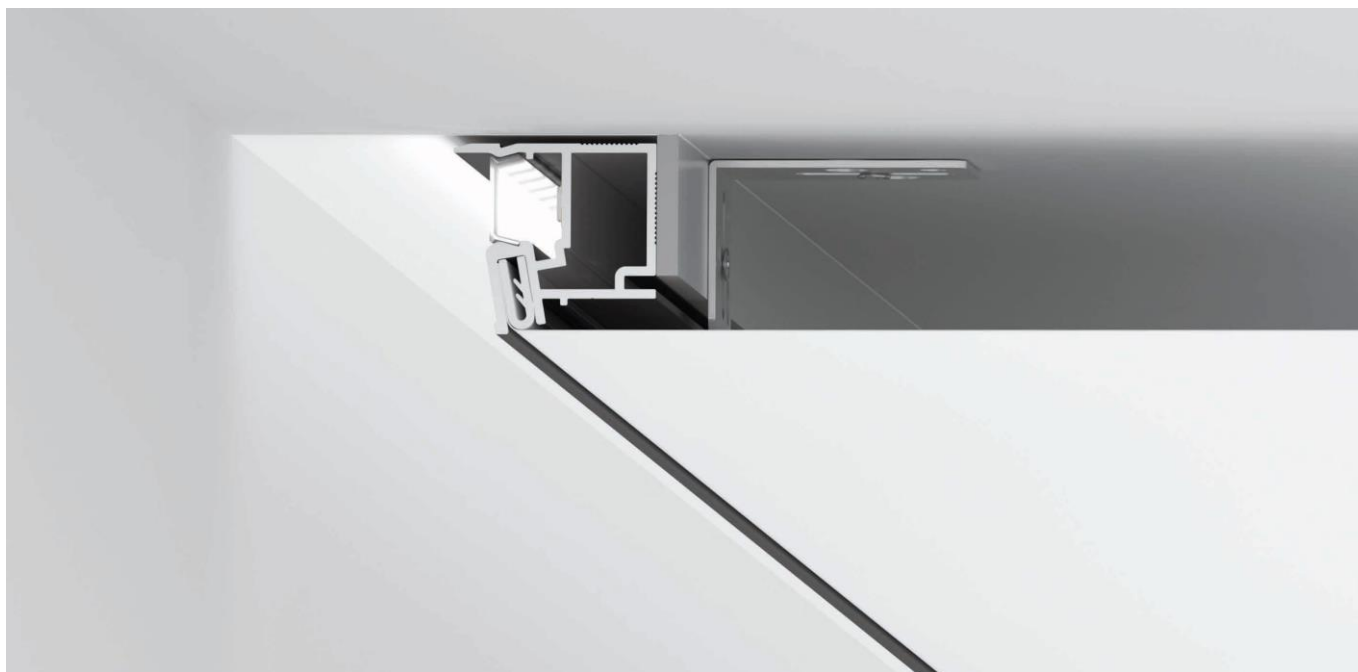


## SLIM VILLAR

Color: black, white Material:

aluminum Compatible:

Textile, PVC





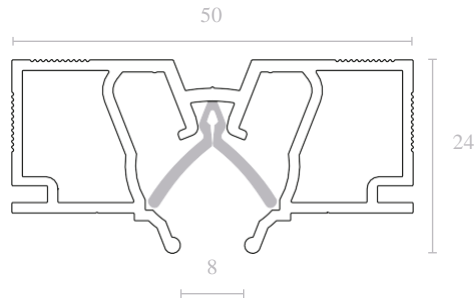


# SLIM R (SEPARATION PROFILE)

Separation profile SLIM R is a system for joining PVC canvas in the form of an even shadow gap. It is used both for technical reasons (bypassing the column, docking of canvases with a room width of > 6 meters) and for aesthetic reasons.

This solution is combined with shadow profile SLIM and has the same shadow joint size.

A distinctive feature of the system is its special black elastic insert, which conceals the harpoon and the canvas welding point. This solution gives a perfect result.

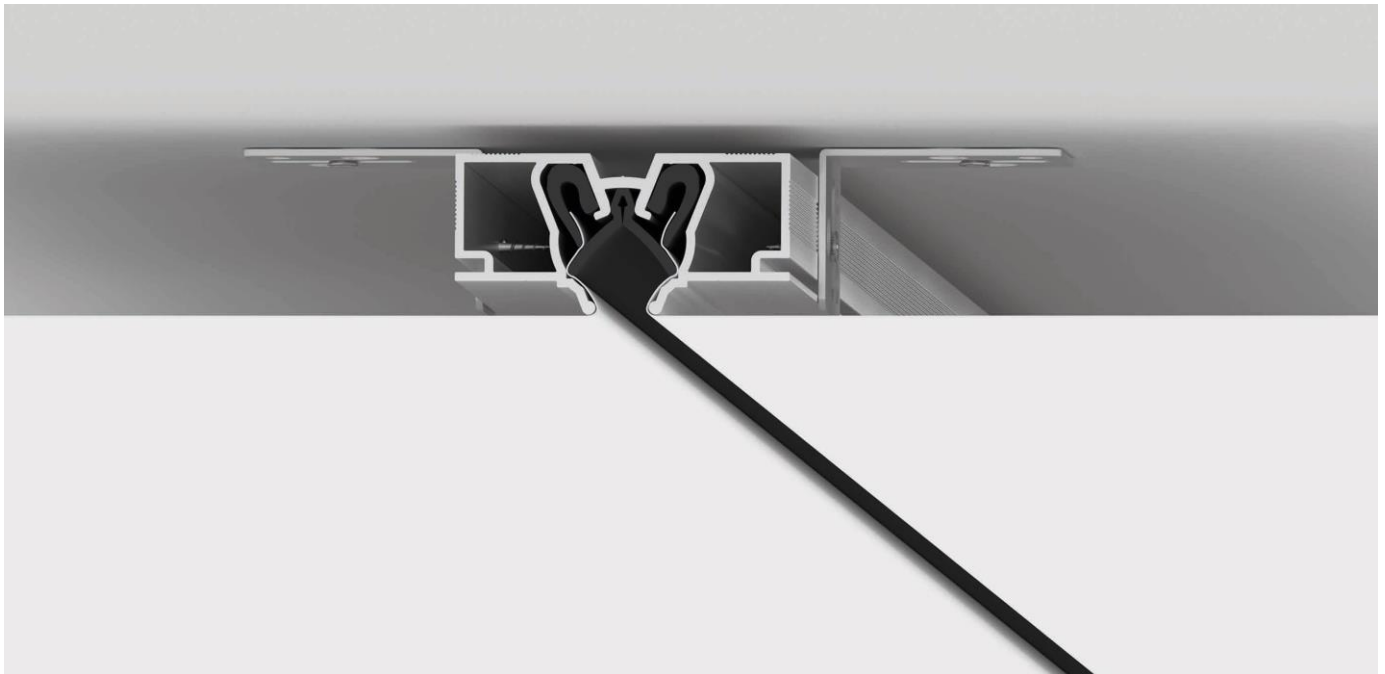


## SLIM R

Color: unpainted

Material: aluminum

Compatible: PVC





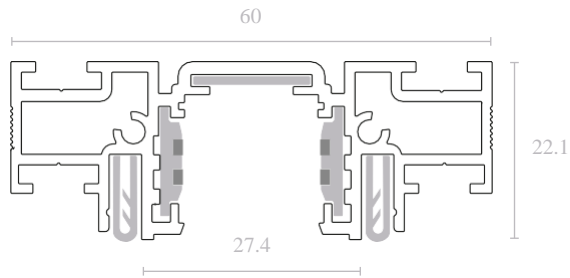


# SLIM TRACK 01 (TRACK SYSTEM)

Special, ultra-compact built-in track system SLIM Track 01 is only 22.1 mm high, which allows you to save the ceiling height and still exploit all the advantages of the built-in track - a minimalistic appearance, a full range of luminaires. The only issue arising from such a compact design is that Line track lights will not be fully integrated.

As an alternative to Line track luminaires, it is recommended to use a separate product - the SLIM Canyon light line. It is made in a similar design as the SLIM track. Both systems can be combined in one project.

The track system was developed in collaboration with professional lighting company and is complemented by light fixtures and connectors made by partner company Novotech.



## SLIM TRACK 01

Color: black, white

Material: aluminum

Compatible: textile, PVC





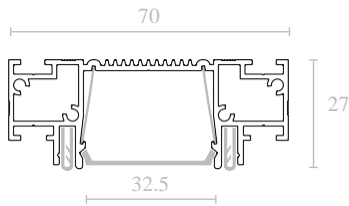
# SLIM LINE & SLIM CANYON (LIGHT LINES)

Light lines SLIM Line and SLIM Canyon are profile systems for creating basic lighting in rooms with different diffuser widths. Some of the distinctive features are:

- Maximum profile height 27 mm, which allows to significantly keep the height of the finish ceiling
- Universal gapless fixing system for PVC and fabric canvas - damper
- Rigid polycarbonate diffuser recessed into the light fixture by 3 mm, which allows you to create a more interesting, three-dimensional look for the entire structure
- Special lamellar reflectors in the design allow for maximum energy efficiency for the luminaire

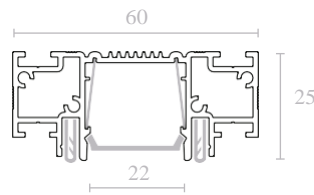
The light source (LED strip) to be chosen is based on illumination and color temperature requirements.

SLIM Canyon is made in the same style and has the same width as SLIM Track 01 track system. This allows you to combine these solutions in one project, where the light line serves as the main light, and the track system complements the overall picture as accent lighting.



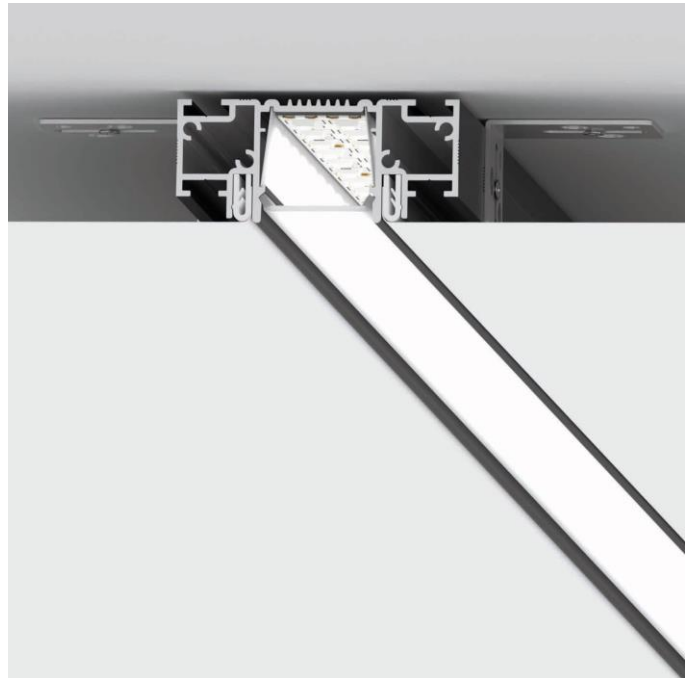
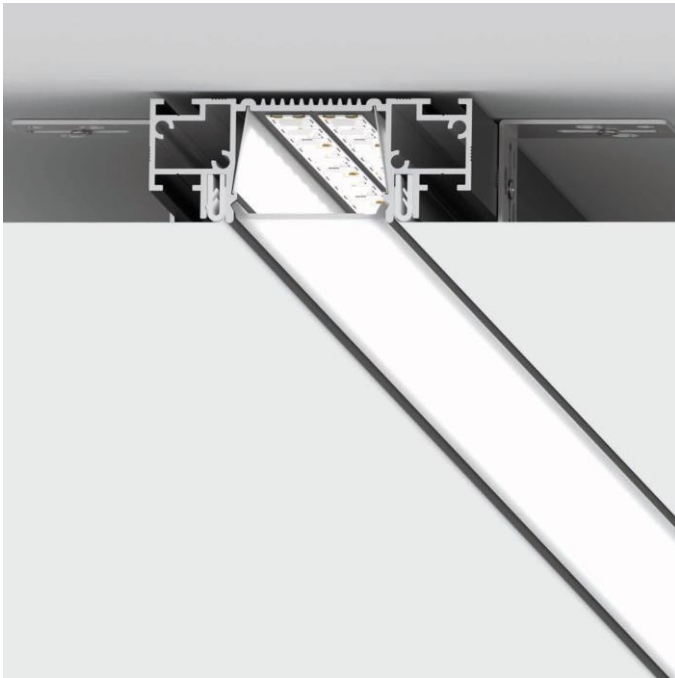
## SLIM LINE

Color: black, white  
Material: aluminum  
Compatible: textile, PVC



## SLIM CANYON

Color: black, white  
Material: aluminum  
Compatible: textile, PVC







[www.spanplafond-garant.be](http://www.spanplafond-garant.be)



[info@spanplafond-garant.be](mailto:info@spanplafond-garant.be)

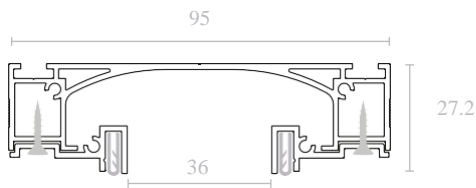
# SLIM 35 (RECESSED LIGHT)

Light line SLIM 35 in white and black-and-white is executed without a diffuser. The light source (LED strip) is located in special cavities of the profile and is not visible to the eye. The light line uses reflected and soft light and has a wide beam opening angle.

SLIM 35 has a visible line width of 36 mm and a profile depth of 27.2 mm. The minimal profile depth and the ultra-compact dimensions maintain the height of the finished ceiling, while taking full advantage of the built-in systems.

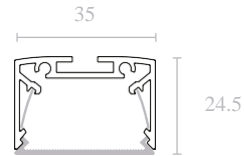
The SLIM 35 profile in black is used as a base, a compact black recess, to accommodate special linear luminaires SLIM L30 and SLIM L60.

The profile system has a moire powder coating and is equipped with a special gapless damping system for fixing PVC or fabric stretch ceilings.



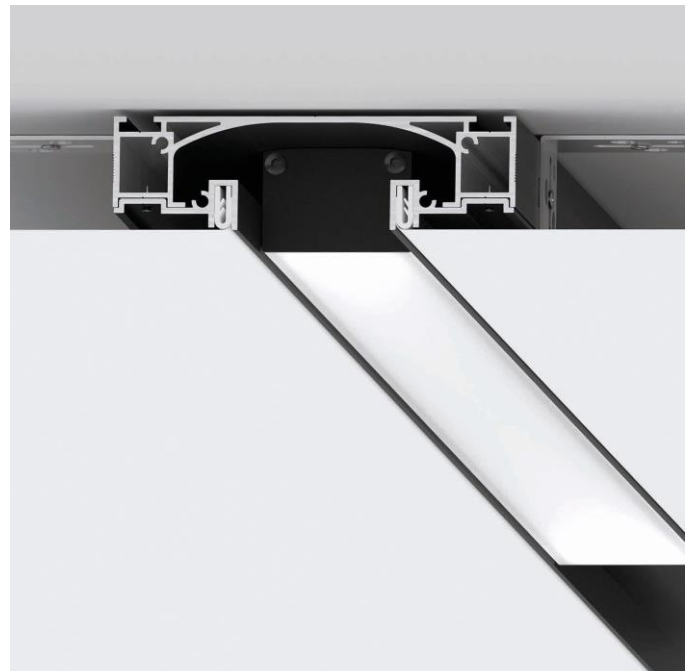
**SLIM 35**

Color: black, white, black-and-white  
Material: aluminum  
Compatible: textile, PVC



**SLIM L30 / SLIM L60**

Color: black, white  
Material: aluminum





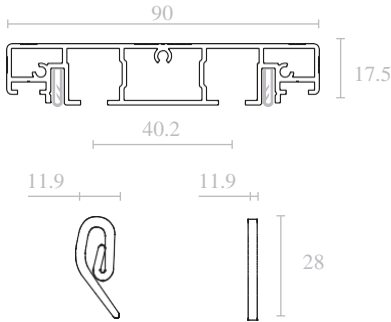


# SLIM ROAD 01 & SLIM ROAD 02 (CURTAIN RAIL PROFILES)

Built-in curtain rails SLIM Road 01/02 have a compact size and a profile height of only 17.5 mm, which significantly saves the height of the finished ceiling. The system has a minimalist appearance and does not require additional installation of a recess.

The SLIM curtain track is produced in two versions - single-row and double-row. For example, installation of single -row tracks in two or three rows in order to improve the appearance and increase the distance between the rail lines.

The system comes with an important feature – special rubberized gliders in black or white color. The profile is fitted with a damping system for installation of PVC and fabric canvases.

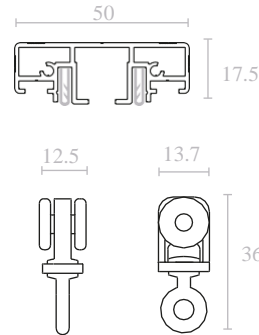


## SLIM ROAD 02

Color: black, white Material: aluminum Compatible: textile, PVC

## HOOK

Color: white Material: plastic

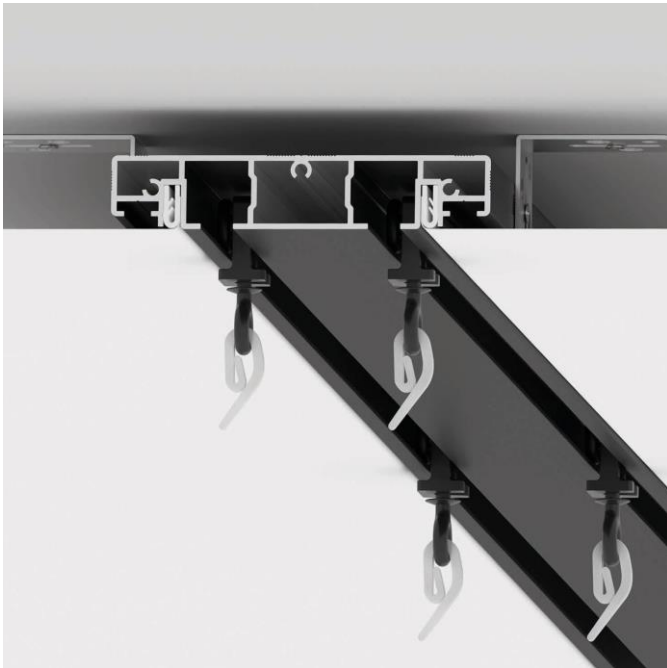


## SLIM ROAD 01

Color: black, white Material: aluminum Compatible: textile, PVC

## GLIDER

Color: black, white Material: plastic







[www.spanplafond-garant.be](http://www.spanplafond-garant.be)



[info@spanplafond-garant.be](mailto:info@spanplafond-garant.be)